



G3ANT-42XXX ANTENNA FAMILY

ARINC Footprint GNSS Antenna

The G3Ant-42XXX product family is a multi-frequency antenna for assured Global Navigation Satellite Signal (GNSS) signal reception. This Antcom “G3” antenna operates in three frequency bands and includes support for GLONASS L1, GPS L1, and L-Band. The baseplate is designed to be compatible with ARINC 743 mounting hole and footprint requirements. An O-ring seal between the antenna and your platform ensures easy installation.

The product family is offered in passive and active (amplified) configurations. The active configurations offer 2-stage integrated bandpass filtering for high out-of-band rejection and limiter diodes to protect sensitive receiver electronics. The passive configurations are best suited for applications where the antenna is located close to the GNSS receiver. It offers the lowest insertion loss for minimizing the noise figure of your system.

Antcom is able to customize this product family to meet your specific requirements. Please contact us for more information about customization options.

BENEFITS

- Easy design into new platforms or retrofit into existing platforms
- Multi-frequency GNSS coverage to support precision applications

FEATURES

- Multi-frequency, multi-constellation connectivity for assured GNSS reception
- ARINC 743 compatible mounting holes and footprint
- Passive or active (amplified) configurations available
- DC power input through RF connector
- Connector options available
- Paint color options available



OPTIONS

- | | |
|-----------|--|
| COLOR | <ul style="list-style-type: none">• Gloss White• Lusterless Gray• Camo Green• Lusterless Black• Desert Tan |
| CONNECTOR | <ul style="list-style-type: none">• S: SMA; P: PINS• M: MCX; MM: MMCX• N, NB: N, N-Bulkhead• T, TB: TNC, TNC-Bulkhead |
| LNA GAIN | <ul style="list-style-type: none">• With 33 dB LNA• With 40 dB LNA• Without LNA |

ELECTRICAL

Frequency Range:	
L-Band B1 BeiDou	1545 - 1610 MHz 1561.098 ± 10 MHz
L1 GPS E1 Galileo	1575.42 ± 12 MHz 1575.42 ± 17 MHz
L1 GLONASS	1609 ± 7.0MHz
VSWR	<2.0:1
Impedance	50 ohms
Polarization	RCHP

MECHANICAL & ENVIRONMENTAL

Designed to:

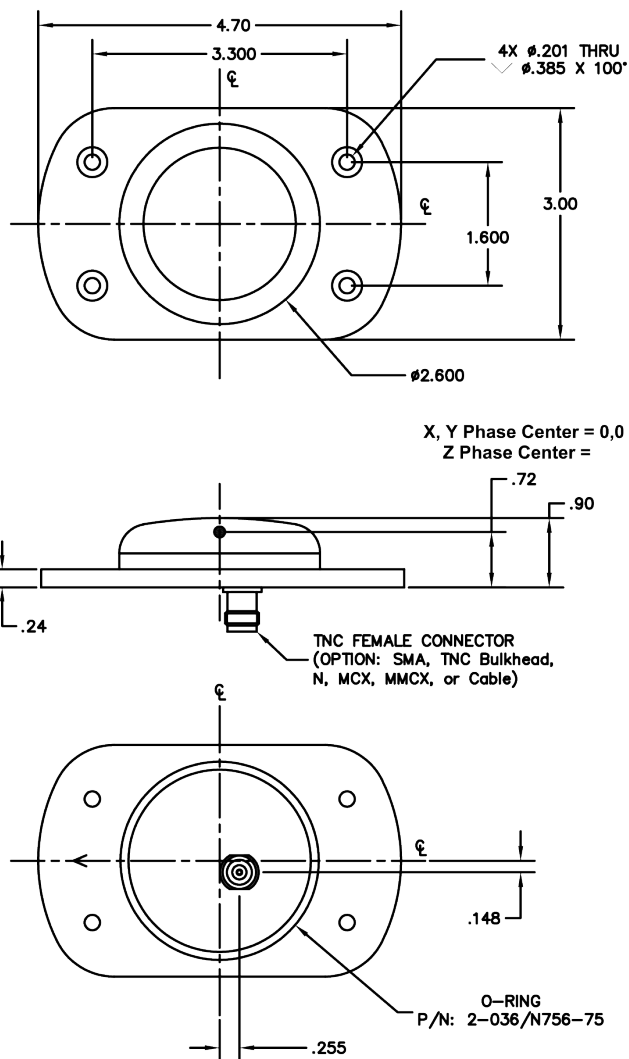
Weight	8.2 oz
Temperature	-55°C TO +85°C
Altitude	70,000 ft
Vibration	>30 Grms

TYPICAL LNA PERFORMANCE

LNA Gain	See Options Table
LNA Noise Figure	3.5 dB
LNA P1dB Out	+13 dBm
LNA DC Power	(3.8 - 15) V <70 mA

LIMITING & FILTERING

Power Handling	1 Watt CW
----------------	-----------



PART NUMBER DECODER

G3Ant-42XXX

LNA Gain

- A = With 33 dB
- A4 = With 40 dB
- P = Passive

Color (PER AMS-STD-595)

- 1 = Gloss White #17925
- 2 = Lusterless Gray #36320
- 3 = Camo Green #34094
- 4 = Lusterless Black #37038
- 5 = Desert Tan #33446

Connector

- S = SMA P= PINS
- M = MCX MM=MMCX
- N, NB = N, N-Bulkhead
- T, TB = TNC, TNC-Bulkhead

CONTACT ANTCOM

Phone: +1-310-782-1076
 Fax: +1-310-782-1086
 Email: sales.pi.antcom@antcom.com
 Web: antcom.com

