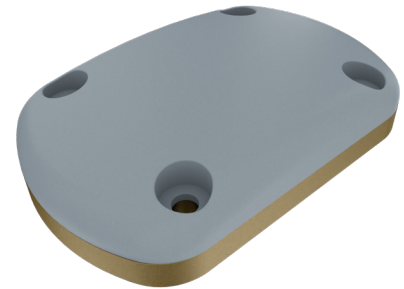


4G1215X-XX-X series antenna

Mini ARINC GPS L1/L2 antenna

The 4G1215X-XX-X product family provides Global Positioning System (GPS) signal reception in the L1 and L2 frequency bands. This product family is designed to a mini Arinc mounting footprint for easy integration onto new and existing platforms. The rugged enclosure can withstand harsh environmental conditions seen in military, aerospace and other applications.

Antcom can customize this product family to meet your specific requirements. Please contact us for more information about customization options.



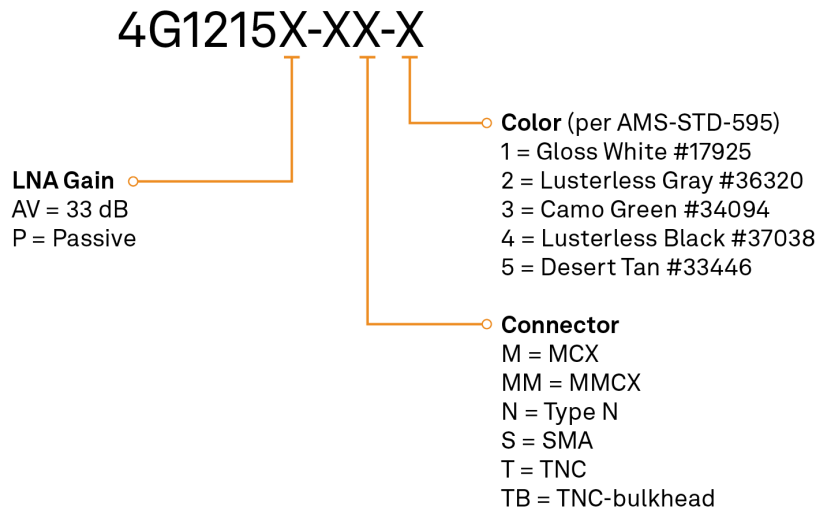
Features

- GPS L1/L2 with M-Code support
- Mini Arinc product footprint
- Passive or active (amplified) configurations available
- Active configurations offer 2-stage integrated bandpass filtering with diode limiters
- Connector options available
- Paint color options available

Benefits

- Rugged GPS L1/L2 antenna
- Mini Arinc form factor ideal for small size and low weight applications
- Various standard options available and customizable options are available for order

Part number decoder



Electrical

Frequency range

GPS L1	1575.42 ± 12 MHz
GPS L2	1227.60 ± 12 MHz

VSWR

<2.0:1

Impedance

50 ohms

Polarization

RHCP

Mechanical and environmental

Weight (typical) 6.6 oz (187 g)

Temperature -55°C to +85°C

Altitude 70,000 ft

Random vibration >30 G_{rms}

Typical LNA performance

LNA gain

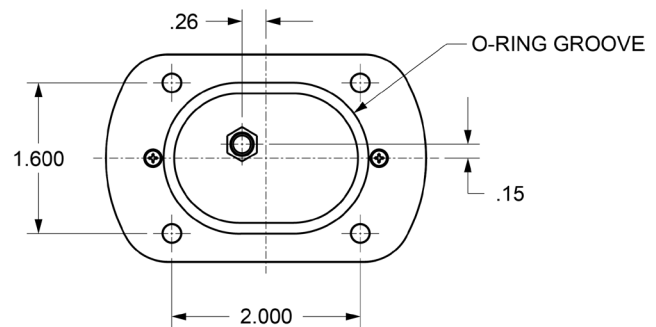
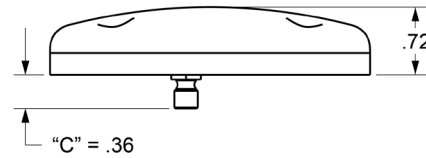
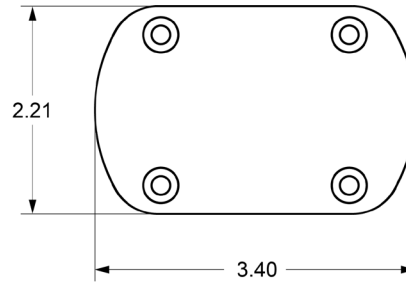
AV option	33 dB
P option	Passive

LNA noise figure 4 dB

LNA P1dB out 7 dBm

Input power +2.7 to +15.0 VDC
<40 mA

Power handling 1 Watt CW



Contact Hexagon | Antcom

sales.ant.ap@antcom.com Phone: 1-310-782-1076 | Fax: 1-310-782-1086

For the most recent details of this product: antcom.com

This document and the information contained herein are provided AS IS and without any representation or warranty of any kind. All warranties, express or implied, are hereby disclaimed, including but not limited to any warranties of merchantability, non-infringement, and fitness for a particular purpose. Nothing herein constitutes a binding obligation. The information contained herein is subject to change without notice.

Antcom is a trademark of Hexagon AB and/or its subsidiaries and affiliates, and/or their licensors. All other trademarks are properties of their respective owners.

© Copyright 2025 Hexagon AB and/or its subsidiaries and affiliates. All rights reserved. A list of entities within the Hexagon Autonomy & Positioning division is available at <https://hexagon.com/company/divisions/autonomy-and-positioning>.