



3G15X-XX-X ANTENNA FAMILY

GPS L1 FRPA

The 3G15X-XX-X product family provides Global Positioning System (GPS) signal reception in the L1 frequency band. This product family is designed to the standard Fixed Reception Pattern Antenna (FRPA) mounting footprint for easy integration onto new and existing platforms. The rugged enclosure can withstand harsh environmental conditions seen in military, aerospace and other applications.

Antcom can customize this product family to meet your specific requirements. Please contact us for more information about customization options.

BENEFITS

- Rugged GPS L1 antenna
- Standard FRPA mounting footprint for easy platform integration
- Various standard options available and customizable options are available for order

FEATURES

- GPS L1 with M-Code support
- FRPA footprint offers thru-hole mount or bottom-mount
- Passive or active (amplified) configurations available
- Active configurations offer 2-stage integrated bandpass filtering with diode limiters
- Connector options available
- Paint color options available



OPTIONS

COLOR	<ul style="list-style-type: none">• Gloss White• Lusterless Gray• Camo Green• Lusterless Black• Desert Tan
CONNECTOR	<ul style="list-style-type: none">• SMA• MCX• Type N• TNC
LNA GAIN	<ul style="list-style-type: none">• 33 dB LNA• Passive

ELECTRICAL

Frequency Range:	
L1 GPS	1575.42 ± 12 MHz
VSWR	< 2.0:1
Impedance	50 ohms
Polarization	RHCP

MECHANICAL & ENVIRONMENTAL

Designed to:

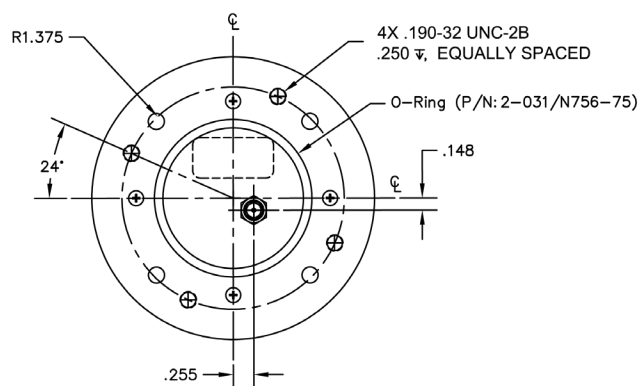
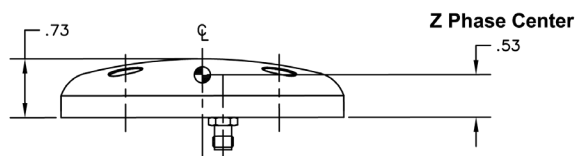
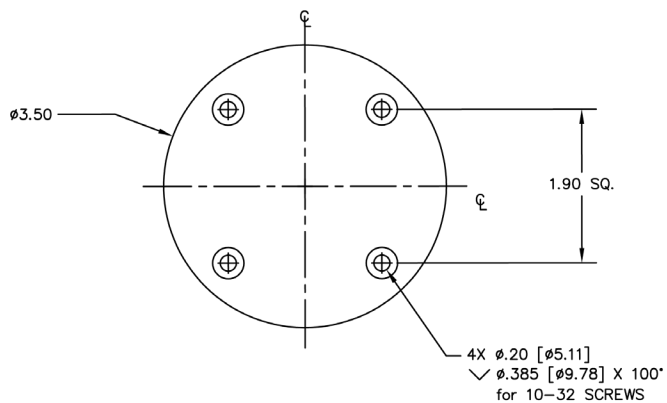
Weight	6.3 oz Typical
Temperature	-55°C to +85°C
Altitude	70,000 ft
Vibration	> 30 Grms

TYPICAL LNA PERFORMANCE

LNA Gain	See Options Table
LNA Noise Figure	3.5 dB
LNA P1dB Out	+13 dBm
LNA DC Power	(3.8 - 15) V < 40 mA

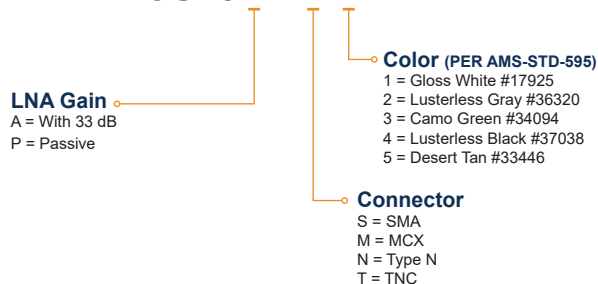
LIMITING & FILTERING

Power Handling	1 Watt CW
-----------------------	-----------



PART NUMBER DECODER

3G15X-XX-X



CONTACT ANTCOM

Phone: +1-310-782-1076
 Fax: +1-310-782-1086
 Email: sales.pi.antcom@antcom.com
 Web: antcom.com

