



S53IR16RR-P-XX-X ANTENNA FAMILY

Iridium Helix Antenna

The S53IR16RR-P-XX-X product family can transmit and reception of Iridium signals. This helical antenna provides efficient reception of right hand circularly polarized (RHCP) signals and rejection of multi-path signals for optimum Iridium performance.

The helical antenna is enclosed under a rugged radome cover for military and airborne applications. The baseplate has top through hole mounts or bottom mounts into 10-32 threaded holes. Additionally, the design is compatible with pipe mount configurations.

Antcom can customize this product family to meet your specific requirements. Please contact us for more information about customization options.

BENEFITS

- Right hand circularly polarized (RHCP) antenna design ensures optimum Iridium connectivity

FEATURES

- Transmit & receive (Tx/Rx) Iridium antenna
- Pipe mount or flat mount
- Connector options available
- Paint color options available



OPTIONS

COLOR

- Gloss White (Radome and Baseplate)
- Lusterless Gray
- Camo Green
- Lusterless Black
- Desert Tan

CONNECTOR

- S: SMA
- N: N; NB: N-Bulkhead
- T: TNC; TB: TNC-Bulkhead
- NM: Male N
- SM: Male SMA

ELECTRICAL

Frequency Range:	
IRIDIUM	1610 - 1626 MHz
VSWR	<2.0:1
Impedance	50 ohms
Polarization	RHCP

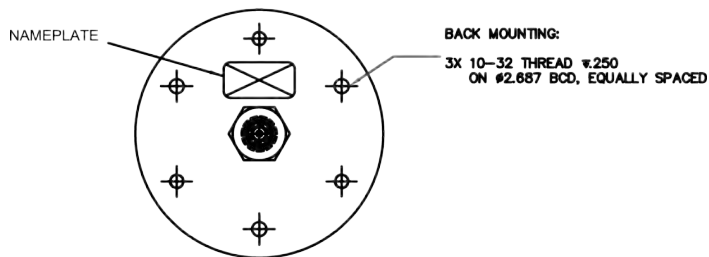
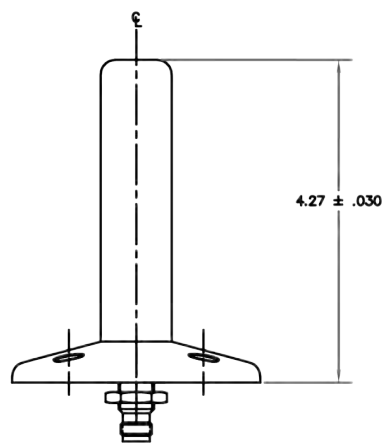
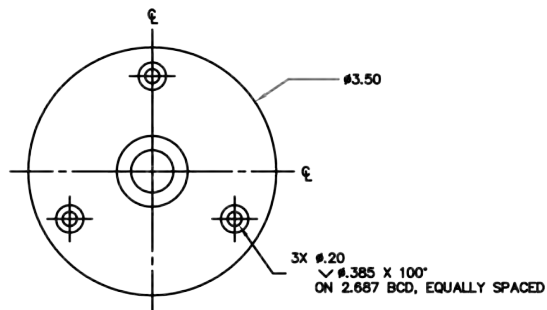
MECHANICAL & ENVIRONMENTAL

Designed to:

Weight	5.1 oz
Temperature	-55°C TO +85°C
Altitude	70,000 ft
Vibration	> 30 Grms

LIMITING & FILTERING

Power Handling	1 Watt CW
----------------	-----------



PART NUMBER DECODER

S53IR16RR-P-XX-X

- Color (PER AMS-STD-595)**
- 1 = Gloss White #17925
- 2 = Lusterless Gray #36320
- 3 = Camo Green #34094
- 4 = Lusterless Black #37038
- 5 = Desert Tan #33446

- Connector**
- S = SMA
- N = N; NB: N-Bulkhead
- T = TNC; TB: TNC-Bulkhead
- NM = Male N
- SM = Male SMA

CONTACT ANTCOM

Phone: +1-310-782-1076
 Fax: +1-310-782-1086
 Email: sales.pi.antcom@antcom.com
 Web: antcom.com

