



G5ANT-53XXX ANTENNA FAMILY

GNSS for Survey & Timing

The G5Ant-53XXX product family is a multi-frequency antenna for assured Global Navigation Satellite Signal (GNSS) signal reception. This Antcom “G5” antenna operates in five frequency bands and includes support for GPS L1, L2, GLONASS L1, L2, and L-Band. This product is designed for pipe-mount installation for applications such as surveying and precise timing.

The product family is offered in passive and active (amplified) configurations. The active configurations offer 2-stage integrated bandpass filtering for high out-of-band rejection, and limiter diodes to protect sensitive receiver electronics. The passive configurations are best suited to applications where the antenna is located close to the GNSS receiver. This offer the lowest insertion loss for minimizing the noise figure of your system.

Antcom is able to customize this product family to meet your specific requirements. Please contact us for more information about customization options.

BENEFITS

- Designed for easy pipe mount installation and setup
- Well suited to survey and timing applications
- Multi-frequency GNSS coverage for accuracy

FEATURES

- Multi-frequency, multi-constellation for precise position and timing
- Passive or active (amplified) configurations available
- DC power input through RF connector
- Connector options available
- Paint color options available



OPTIONS

COLOR	<ul style="list-style-type: none">• Gloss White• Lusterless Gray• Camo Green• Lusterless Black• Desert Tan
CONNECTOR	<ul style="list-style-type: none">• S: SMA• M: MCX; MM: MMCX• N, NB: N, N-Bulkhead• T, TB: TNC, TNC-Bulkhead
LNA GAIN	<ul style="list-style-type: none">• With 33 dB LNA• With 40 dB LNA• Without LNA

ELECTRICAL

Frequency Range:	
L2 GPS	1227.60 ± 12 MHz
L2 GLONASS	1242 -1249 MHz
L-Band	1545 -1610 MHz
E6 Galileo	1561.098 ± 10 MHz
B1 BeiDou	1561.098 ± 10 MHz
L1 GPS	1575.42 ± 15.0 MHz
E1 Galileo	1575.42 ± 17.0 MHz
L1 GLONASS	1609 ± 7.0 MHz
VSWR	<2.0:1
Impedance	50 ohms
Polarization	RCHP

MECHANICAL & ENVIRONMENTAL

Designed to:

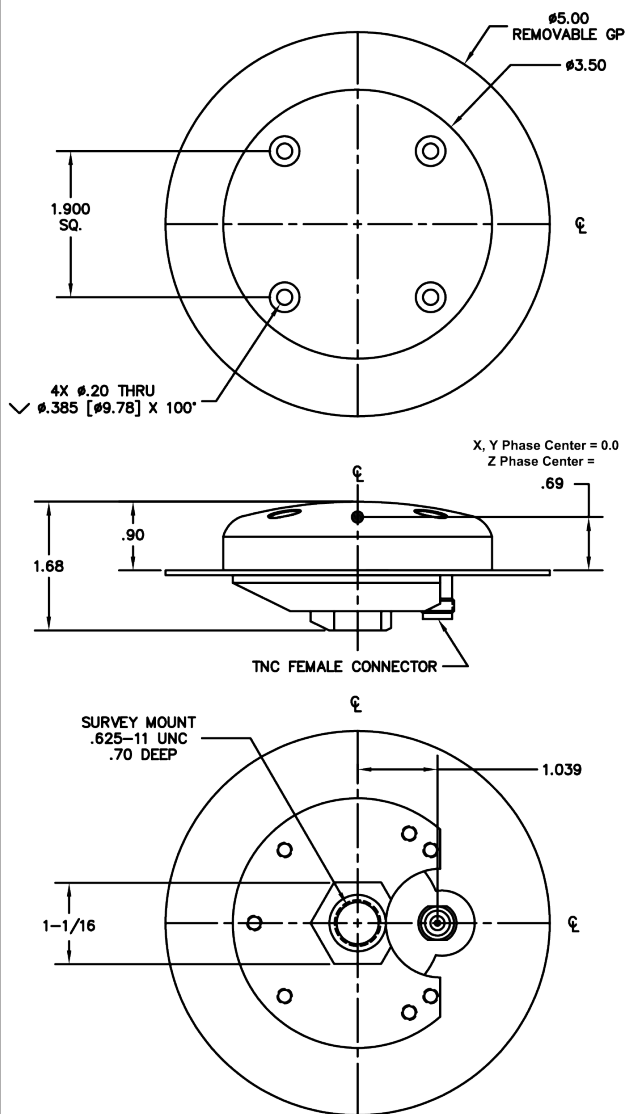
Weight	14.5 oz
Temperature	-55°C TO +85°C
Altitude	70,000 ft
Vibration	>30 Grms

TYPICAL LNA PERFORMANCE

LNA Gain	See Options Table
LNA Noise Figure	3.5 dB
LNA P1dB Out	+13 dBm
LNA DC Power	(3.8 - 15) V <70 mA

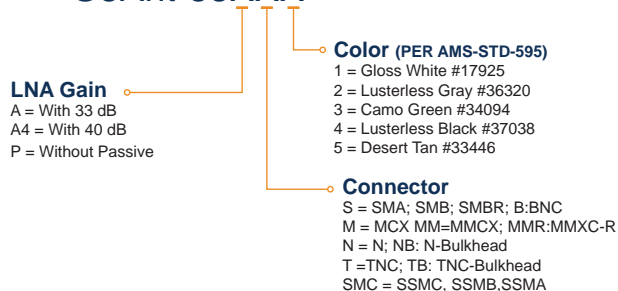
LIMITING & FILTERING

Power Handling	1 Watt CW
-----------------------	-----------



PART NUMBER DECODER

G5Ant-53XXX



CONTACT ANTCOM

Phone: +1-310-782-1076
 Fax: +1-310-782-1086
 Email: sales.pi.antcom@antcom.com
 Web: antcom.com

