



## 42G1215X-XX-X ANTENNA FAMILY

### ARINC Footprint GPS L1/L2 Antenna

The 42G1215X-XX-X is a dual-band GPS L1/L2 antenna family. The baseplate is designed to be compatible with ARINC 743 mounting hole and footprint requirements. An O-ring seal between the antenna and your platform ensures easy installation.

The product family is available in passive and active (amplified) configurations. The active configurations offer 2-stage integrated bandpass filtering for high out-of-band rejection, and limiter diodes to protect sensitive receiver electronics. The passive configurations are best suited to applications where the antenna is located close to the GNSS receiver and offers the lowest insertion loss to minimize the noise figure of your system.

Antcom can customize this product family to meet your specific requirements. Please contact us for more information about customization options.

#### BENEFITS

- Rugged GPS L1/L2 antenna
- Standard ARINC mounting footprint for easy platform integration

#### FEATURES

- GPS L1/L2 with M-Code support
- ARINC 743 compatible mounting holes and footprint
- Passive or active (amplified) configurations available
- DC power input through RF connector
- Connector options available
- Paint color options available



#### OPTIONS

- |           |  |
|-----------|--|
| COLOR     | <ul style="list-style-type: none"><li>• Gloss White</li><li>• Lusterless Gray</li><li>• Camo Green</li><li>• Lusterless Black</li><li>• Desert Tan</li></ul> |
| CONNECTOR | <ul style="list-style-type: none"><li>• S: SMA; B: BNC</li><li>• M: MCX; MM: MMCX</li><li>• N: N; NB:N-Bulkhead</li><li>• T, TNC: TB; TNC-Bulkhead</li></ul> |
| LNA GAIN  | <ul style="list-style-type: none"><li>• With 33 dB LNA</li><li>• With 20 dB LNA</li><li>• With 40 dB LNA</li><li>• Passive</li></ul>                         |

**ELECTRICAL**

Frequency Range:	
L1 GPS	1575.42 ± 12 MHz
L2 GPS	1227.60 ± 12 MHz
VSWR	<2.0:1
Impedance	50 ohms
Polarization	RHCP

**MECHANICAL & ENVIRONMENTAL**

Designed to:

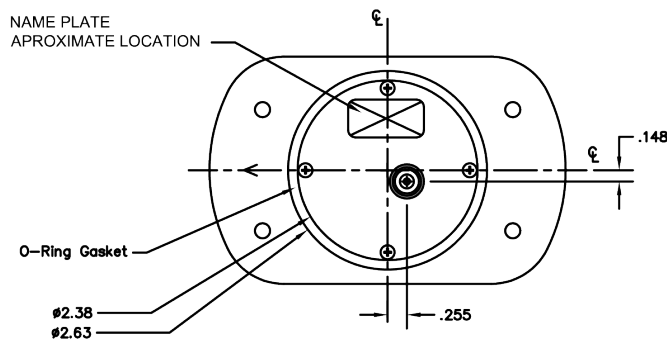
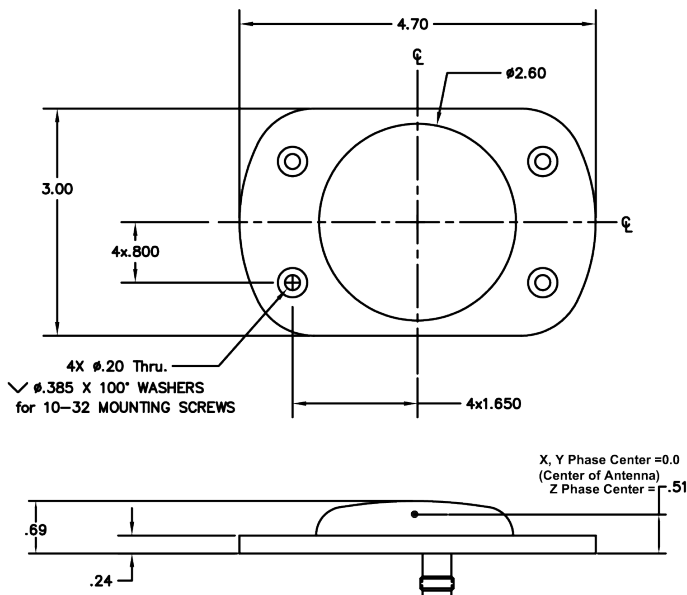
Weight	6.8 oz
Temperature	-55°C TO +85°C
Altitude	70,000 ft
Vibration	> 30 Grms

**TYPICAL LNA PERFORMANCE**

LNA Gain	See Options Table
LNA Noise Figure	3.5 dB
LNA P1dB Out	+13 dBm
LNA DC Power	(3.8 - 15) V <70 mA

**LIMITING & FILTERING**

Power Handling	1 Watt CW
----------------	-----------



**PART NUMBER DECODER**

42G1215X-XX-X

**LNA Gain**

- A = With 33 dB
- A2 = With 20 dB
- A4 = With 40 dB
- P = Passive

**Color (PER AMS-STD-595)**

- 1 = Gloss White #17925
- 2 = Lusterless Gray #36320
- 3 = Camo Green #34094
- 4 = Lusterless Black #37038
- 5 = Desert Tan #33446

**Connector**

- S = SMA; B = BNC
- M = MCX; MM = MMCX
- N = N; NB = N-Bulkhead
- T = TNC; TB = TNC-Bulkhead

**CONTACT ANTCOM**

Phone: +1-310-782-1076  
 Fax: +1-310-782-1086  
 Email: sales.pi.antcom@antcom.com  
 Web: antcom.com

