



3GNSSX-XX-X ANTENNA FAMILY

FRPA Footprint GNSS Antenna

The 3GNSSX-XX-X product family is a multi-frequency antenna for assured position, navigation and timing (PNT) reception. This wideband antenna operates across GPS, GLONASS, Galileo and BeiDou frequencies for true Global Navigation Satellite System (GNSS) reception.

The baseplate is compatible with standard Fixed Reception Pattern Antenna (FRPA) mounting holes for easy installation onto new and existing platforms. An O-ring seal is included on the antenna base to ensure sealing between the antenna and the platform.

The product family is available in passive and active (amplified) configurations. The active configurations offer 2-stage integrated bandpass filtering for high out-of-band rejection and limiter diodes to protect sensitive receiver electronics. The passive configurations are best suited to applications where the antenna is located close to the GNSS receiver and offers the lowest insertion loss to minimize the noise figure of your system.

Antcom can customize this product family to meet your specific requirements. Please contact us for more information about customization options.

BENEFITS

- Standard FRPA mount for easy installation
- Multi-frequency GNSS coverage for assured PNT

FEATURES

- Maximum multi-frequency, multi-constellation coverage
- FRPA compatible mounting holes and footprint
- Passive or active (amplified) configurations available
- DC power input through RF connector
- Connector options available
- Paint color options available



OPTIONS

- | | |
|-----------|--|
| COLOR | <ul style="list-style-type: none">• Gloss White• Lusterless Gray• Olive Drab Green• Lusterless Black• Desert Tan |
| CONNECTOR | <ul style="list-style-type: none">• S: SMA• T: TNC• N: N• TB: TNC Bulkhead |
| LNA GAIN | <ul style="list-style-type: none">• 40 dB LNA• Passive |



ELECTRICAL

Frequency Range:	
L1 GLONASS	1609 ± 7 MHz
L1 GPS E1 Galileo	1575.42 ± 15 MHz 1575.42 ± 17 MHz
L2 GLONASS	1252.50 ± 7.5 MHz
L2 GPS B2 BeiDou	1227.60 ± 12 MHz 1207.14 - 1217.14 MHz
L5 GPS, E5, E5A, E5B Galileo, L5 IRNSS	1161 - 1219.14 MHz
E6 Galileo B1 BeiDou	1545 - 1610 MHz 1561.098 ± 10 MHz
VSWR	< 2.0:1
Impedance	50 ohms
Polarization	RHCP

MECHANICAL & ENVIRONMENTAL

Designed to:

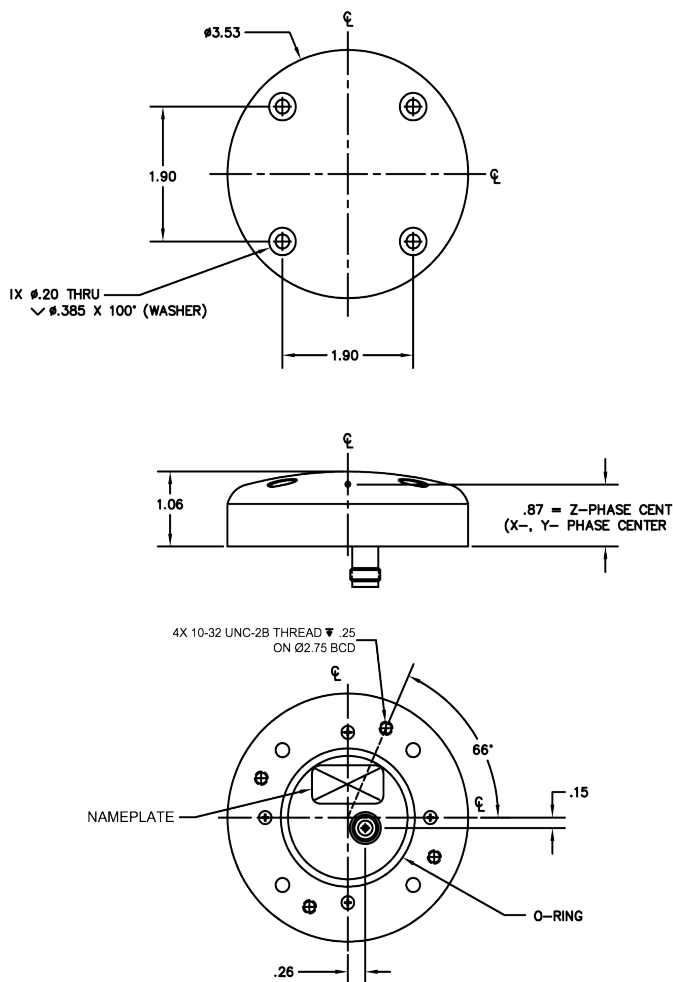
Weight	12.4 oz
Temperature	-55°C TO +85°C
Altitude	70,000 ft
Vibration	> 30 Grms

TYPICAL LNA PERFORMANCE

LNA Gain	See Options Table
LNA Noise Figure	< 3.5 dB
LNA P1dB Out	> 2.5 dBm
LNA DC Power	(3.8 - 6) V < 70 mA

LIMITING & FILTERING

Power Handling	1 Watt CW
-----------------------	-----------



PART NUMBER DECODER

3GNSSX-XX-X

- LNA Gain**
 - A4 = 40 dB LNA
 - P = Passive
- Color (PER AMS-STD-595)**
 - 1 = Gloss White #17925
 - 2 = Lusterless Gray #36320
 - 3 = Olive Drab Green #34094
 - 4 = Lusterless Black #37038
 - 5 = Desert Tan #33446
- Connector**
 - S = SMA
 - T = TNC
 - N = N
 - TB = TNC Bulkhead

CONTACT ANTCOM

Phone: +1-310-782-1076
 Fax: +1-310-782-1086
 Email: sales.pi.antcom@antcom.com
 Web: antcom.com

