



## 3G15X-XX-X ANTENNA FAMILY

### GPS L1 FRPA

The 3G15X-XX-X product family provides Global Positioning System (GPS) signal reception in the L1 frequency band. This product family is designed to the standard Fixed Reception Pattern Antenna (FRPA) mounting footprint for easy integration onto new and existing platforms. The rugged enclosure can withstand harsh environmental conditions seen in military, aerospace and other applications.

Antcom can customize this product family to meet your specific requirements. Please contact us for more information about customization options.

#### BENEFITS

- Rugged GPS L1 antenna
- Standard FRPA mounting footprint for easy platform integration
- Various standard options available and customizable options are available for order

#### FEATURES

- GPS L1 with M-Code support
- FRPA footprint offers thru-hole mount or bottom-mount
- Passive or active (amplified) configurations available
- Active configurations offer 2-stage integrated bandpass filtering with diode limiters
- Connector options available
- Paint color options available



#### OPTIONS

COLOR	<ul style="list-style-type: none"><li>• Gloss White</li><li>• Lusterless Gray</li><li>• Camo Green</li><li>• Lusterless Black</li><li>• Desert Tan</li></ul>
CONNECTOR	<ul style="list-style-type: none"><li>• S: SMA; RS: R-SMA; P: PINS</li><li>• M: MCX; MM: MMCX</li><li>• N, NB: N, N-Bulkhead</li><li>• T, TB: TNC, TNC-Bulkhead</li></ul>
LNA GAIN	<ul style="list-style-type: none"><li>• 33 dB LNA</li><li>• Passive</li></ul>

**ELECTRICAL**

<b>Frequency Range:</b>	
<b>L1 GPS</b>	1575.42 ± 12 MHz
<b>VSWR</b>	<2.0:1
<b>Impedance</b>	50 ohms
<b>Polarization</b>	RHCP

**MECHANICAL & ENVIRONMENTAL**

Designed to:

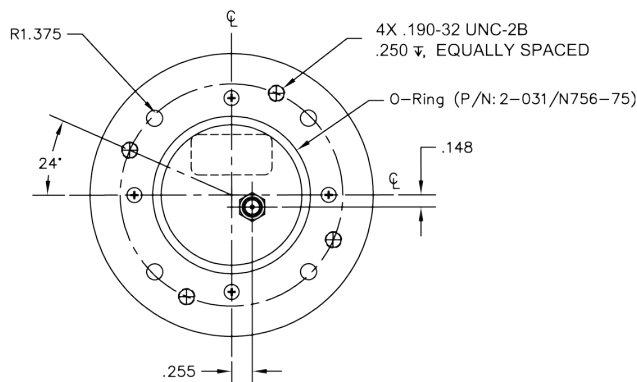
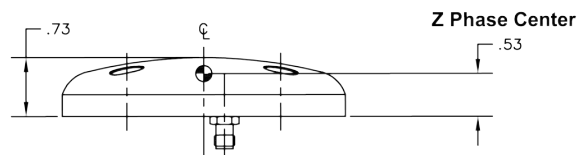
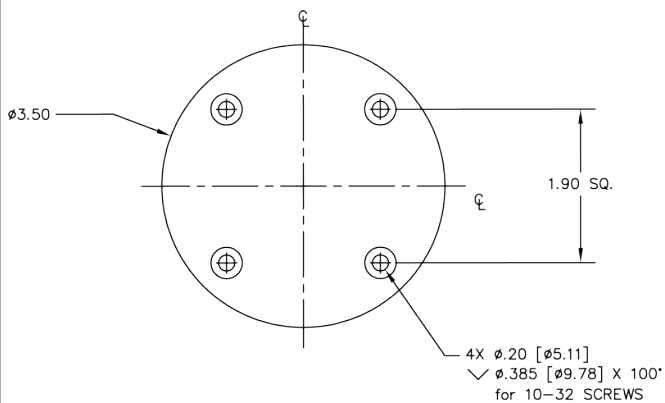
<b>Weight</b>	6.3 oz
<b>Temperature</b>	-55°C TO +85°C
<b>Altitude</b>	70,000 ft
<b>Vibration</b>	> 30 Grms

**TYPICAL LNA PERFORMANCE**

<b>LNA Gain</b>	See Options Table
<b>LNA Noise Figure</b>	3.5 dB
<b>LNA P1dB Out</b>	+13 dBm
<b>LNA DC Power</b>	(3.8 - 15) V <70 mA

**LIMITING & FILTERING**

<b>Power Handling</b>	1 Watt CW
-----------------------	-----------



**PART NUMBER DECODER**

3G15X XX X

**LNA Gain**  
A = With 33 dB  
P = Passive

**Color (PER AMS-STD-595)**  
1 = Gloss White #17925  
2 = Lusterless Gray #36320  
3 = Camo Green #34094  
4 = Lusterless Black #37038  
5 = Desert Tan #33446

**Connector**  
S = SMA; RS: R-SMA; P: PINS  
M = MCX; MM: MMCX  
N = NB: N, N-Bulkhead  
T = TB: TNC, TNC-Bulkhead

**CONTACT ANTCOM**

Phone: +1-310-782-1076  
Fax: +1-310-782-1086  
Email: sales.pi.antcom@antcom.com  
Web: antcom.com

