



2G15X-MNX-X ANTENNA FAMILY

Compact GPS L1 Antenna with Magnetic Mount

The 2G15X-MNX-X product family uses the Global Positioning System (GPS) signal reception in the L1 frequency band. This antenna is a small, round enclosure with magnetic mounting for easy integration onto new and existing platforms. The rugged enclosure can withstand harsh environmental conditions seen in military, aerospace and other applications.

Antcom can customize this product to meet your specific requirements. Please contact us for more information about customization options.



BENEFITS

- Rugged GPS L1 antenna
- Compact enclosure is ideal for applications with size and weight requirements
- Many standard options available, and customizable if required

FEATURES

- Magnetic mount capability
- GPS L1 with M-Code support
- Passive or active (amplified) configurations available
- Active configurations offer 2-stage integrated bandpass filtering with diode limiters
- Connector options available
- Paint color options available

OPTIONS

COLOR

- Gloss White
- Lusterless Gray
- Camo Green
- Lusterless Black
- Desert Tan

CONNECTOR

- S: SMA; RS; SMA-R
- M: MCX; MM: MMCX
- N: N; NB:N-Bulkhead
- T, TNC: TB; TNC-Bulkhead

LNA GAIN

- With 33 dB LNA
- Without LNA

ELECTRICAL

Frequency Range:	
L1 GPS	1575.42 ± 12 MHz
VSWR	<2.0:1
Impedance	50 ohms
Polarization	RHCP

MECHANICAL & ENVIRONMENTAL

Designed to:

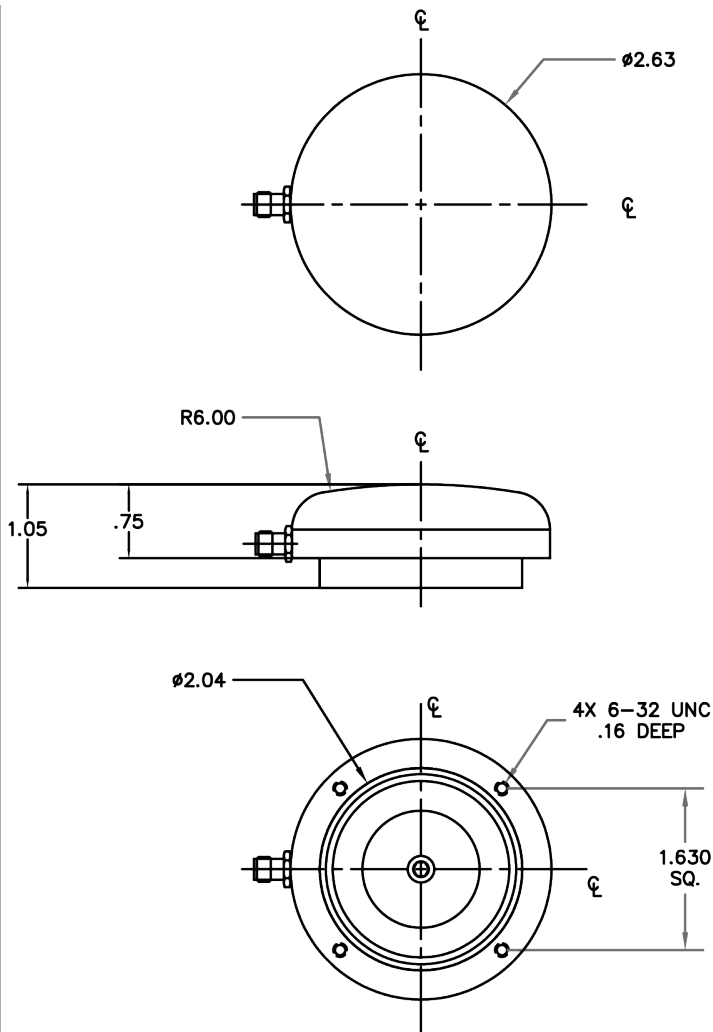
Weight	6.85 oz
Temperature	-55°C TO +85°C
Altitude	70,000 ft
Vibration	> 30 Grms

TYPICAL LNA PERFORMANCE

LNA Gain	See Options Table
LNA Noise Figure	3.5 dB
LNA P1dB Out	+13 dBm
LNA DC Power	(3.8 - 15) V <35 mA

LIMITING & FILTERING

Power Handling	1 Watt CW
----------------	-----------



PART NUMBER DECODER

2G15X-MNX-X

LNA Gain
 A = With 33 dB
 P = Without Passive

Color (PER AMS-STD-595)
 1 = Gloss White #17925
 2 = Lusterless Gray #36320
 3 = Camo Green #34094
 4 = Lusterless Black #37038
 5 = Desert Tan #33446

Connector
 S = SMA; RS: SMA-R
 M = MCX; MM: MMCX
 N = N; NB: N-Bulkhead
 T = TNC; TB: TNC-Bulkhead

CONTACT ANTCOM

Phone: +1-310-782-1076
 Fax: +1-310-782-1086
 Email: sales.pi.antcom@antcom.com
 Web: antcom.com

