



2G1215X-XX-X ANTENNA FAMILY

Small Round GPS L1/L2 Antenna

The 2G1215X-XX-X product family provides Global Positioning System (GPS) signal reception in the L1 and L2 frequency bands. This antenna is designed with a small round enclosure for easy integration onto new and existing platforms. The rugged enclosure can withstand harsh environmental conditions seen in military, aerospace and other applications.

Antcom can customize this product family to meet your specific requirements. Please contact us for more information about customization options.

BENEFITS

- Rugged GPS L1/L2 antenna
- Compact round enclosure offers small size & low weight
- Many standard options available, and customizable if required

FEATURES

- GPS L1/L2 with M-Code support
- Passive or active (amplified) configurations available
- Active configurations offer 2-stage integrated bandpass filtering with diode limiters
- Connector options available
- Paint color options available



OPTIONS

COLOR

- Gloss White
- Lusterless Gray
- Camo Green
- Lusterless Black
- Desert Tan

CONNECTOR

- S: SMA
- M: MCX; MM: MMCX
- N: N; NB:N-Bulkhead
- T, TNC: TB: TNC-Bulkhead

LNA GAIN

- With 33 dB LNA
- With 20 dB LNA
- With 40 dB LNA
- Without LNA

ELECTRICAL

Frequency Range:	
L1 GPS	1575.42 ± 12 MHz
L2 GPS	1227.60 ± 12 MHz
VSWR	<2.0:1
Impedance	50 ohms
Polarization	RHCP

MECHANICAL & ENVIRONMENTAL

Designed to:

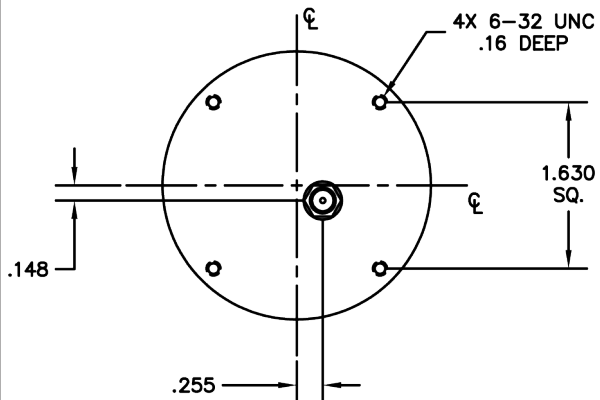
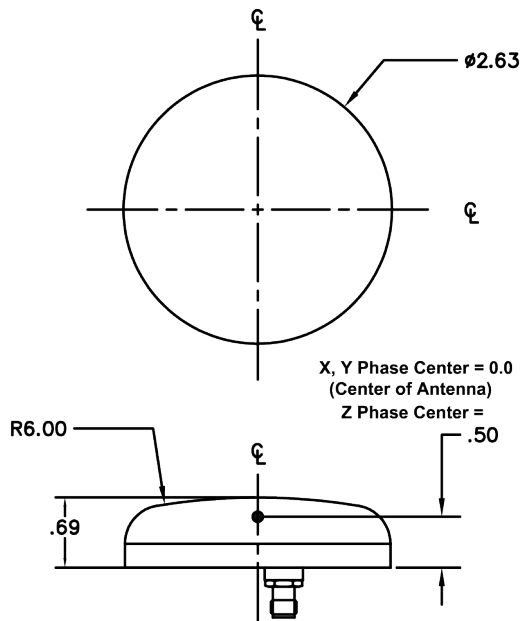
Weight	4.5 oz
Temperature	-55°C TO +85°C
Altitude	70,000 ft
Vibration	> 30 Grms

TYPICAL LNA PERFORMANCE

LNA Gain	See Options Table
LNA Noise Figure	3.5 dB
LNA P1dB Out	+13 dBm
LNA DC Power	(3.8 - 15) V <70 mA

LIMITING & FILTERING

Power Handling	1 Watt CW
----------------	-----------



PART NUMBER DECODER

2G1215X-XX-X

LNA Gain
 A = With 33 dB
 A2= With 20 dB
 A4=With 40 dB
 P = Without Passive

Color (PER AMS-STD-595)
 1 = Gloss White #17925
 2 = Lusterless Gray #36320
 3 = Camo Green #34094
 4 = Lusterless Black #37038
 5 = Desert Tan #33446

Connector
 S = SMA
 M = MCX; MM: MMCX
 N = N; NB: N-Bulkhead
 T = TNC; TB: TNC-Bulkhead

CONTACT ANTCOM

Phone: +1-310-782-1076
 Fax: +1-310-782-1086
 Email: sales.pi.antcom@antcom.com
 Web: antcom.com

