



## 2G1215AF-XX-X ANTENNA FAMILY

### Mini GPS L1/L2 Antenna with Enhanced Out-of-Band Rejection

This 'Ligado Proof' antenna features high out-of-band rejection near the Global Positioning System (GPS) L1 frequency band for assured GPS reception in high interference environments. This enhanced out-of-band rejection offers high attention of signals in the Ligado downlink, Ligado uplink and Iridium bands.

The 2G1215AF-XX-X product family provides Global Positioning System (GPS) signal reception in the L1 and L2 frequency bands. The small round enclosure allows for easy integration onto new and existing platforms. The rugged enclosure can withstand the harsh environmental conditions seen in military, aerospace and other applications.

Antcom can customize this product family to meet your specific requirements. Please contact us for more information about customization options.

#### BENEFITS

- Rejects Ligado, Iridium and other out-of-band signals for assured GPS L1 reception
- Compatible with standard GPS receivers for easy Ligado-proof GPS solution
- Small round and lightweight enclosure

#### FEATURES

- High GPS L1 band filtering for rejecting out-of-band interference
- GPS L1/L2 with M-Code support
- Connector options available
- Paint color options available



#### OPTIONS

COLOR	<ul style="list-style-type: none"><li>• Gloss White</li><li>• Lusterless Gray</li><li>• Camo Green</li><li>• Lusterless Black</li><li>• Desert Tan</li></ul>
CONNECTOR	<ul style="list-style-type: none"><li>• S: SMA</li><li>• M: MCX; MM: MMCX</li><li>• N: N; NB: N-Bulkhead</li><li>• T: TNC; TB: TNC-Bulkhead</li></ul>
LNA GAIN	<ul style="list-style-type: none"><li>• 33dB High Filtering</li></ul>

**TYPICAL OUT-OF-BAND REJECTION**

Frequency Band	Frequency Range	Out-of-Band Rejection
Ligado (Downlink)	1526 to 1536 MHz	> 50 dB
Ligado (Uplink)	1627.5 TO 1627.5 MHz 1646.5 TO 1656.5 MHz	> 70 dB
Iridium	1610 to 1626.5 MHz	> 25 dB above 1610 MHz > 45 dB above 1613 MHz

**ELECTRICAL**

Frequency Range:	
L1 GPS	1575.42 ± 12 MHz
L2 GPS	1227.60 ± 12 MHz
VSWR	<2.0:1
Impedance	50 ohms
Polarization	RHCP

**MECHANICAL & ENVIRONMENTAL**

Designed to:

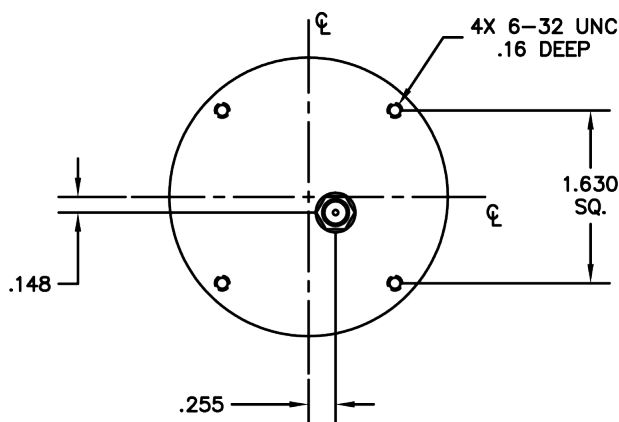
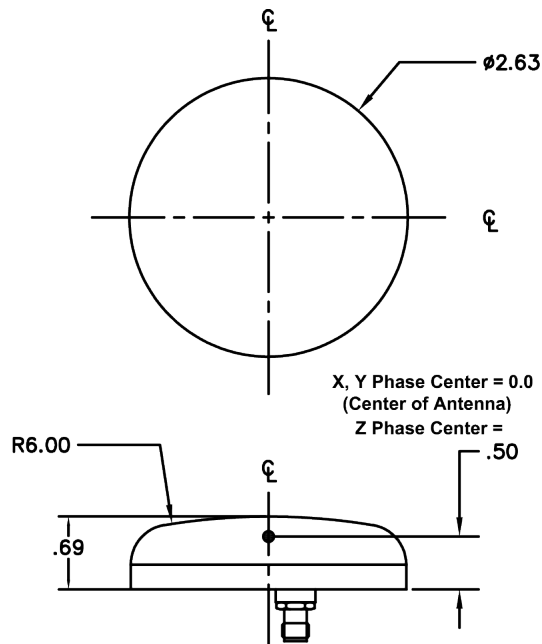
Weight	4.5 oz
Temperature	-55°C TO +85°C
Altitude	70,000 ft
Vibration	> 30 Grms

**TYPICAL LNA PERFORMANCE**

LNA Gain	See Options Table
LNA Noise Figure	3.5 dB
LNA P1dB Out	+13 dBm
LNA DC Power	(3.8 - 15) V <70 mA

**LIMITING & FILTERING**

Power Handling	1 Watt CW
----------------	-----------



**PART NUMBER DECODER**

2G1215AF-XX-X

- LNA Gain**  
AF = 33dB High Filtering
- Color (PER AMS-STD-595)**
  - 1 = Gloss White #17925
  - 2 = Lusterless Gray #36320
  - 3 = Camo Green #34094
  - 4 = Lusterless Black #37038
  - 5 = Desert Tan #33446
- Connector**
  - S: SMA
  - M: MCX; MM: MMCX
  - N: N; NB: N-Bulkhead
  - T: TNC; TB: TNC-Bulkhead

**CONTACT ANTCOM**

Phone: +1-310-782-1076  
 Fax: +1-310-782-1086  
 Email: sales.pi.antcom@antcom.com  
 Web: antcom.com

