



## 3GO16X-XXR-X ANTENNA FAMILY

### FRPA-Footprint GNSS Antenna, Active, Center Connector

The 3GO16X-XXR-X product family uses assured Global Navigation Satellite System (GNSS) signal reception through multi-constellation reception. Coverage is available across three frequency bands: GLONASS L1, GPS L1 plus Galileo E1 and L-Band plus Beidou B1. The antenna has the standard Fixed Reception Pattern Antenna (FRPA) mounting footprint for easy integration onto new and existing platforms. Industries with harsh environmental conditions such as military and aerospace applications are ideal for this antenna's rugged enclosure. The connector is located in the center of the baseplate bottom for easy installation.

The product family is available in two amplification options. Both active configurations include two-stage ceramic and surface acoustic wave (SAW) filtering for sharp band edges and linearity within the GNSS bands. The upper and lower frequency bands are separately amplified and filtered to ensure operation in high ambient interference environments.

Antcom can customize this product family to meet your specific requirements. Please contact us for more information about customization options.

#### BENEFITS

- Standard FRPA mounting footprint for easy platform integration
- Multi-constellation GNSS coverage for assured position, navigation and timing

#### FEATURES

- GPS L1, Galileo E1, GLONASS L1, Beidou B1 and L-Band support
- FRPA footprint with thru-hole mount or bottom-mount
- Multiple amplification options available
- High filtering for out-of-band rejection



#### OPTIONS

COLOR	<ul style="list-style-type: none"><li>• Gloss White</li><li>• Lusterless Gray</li><li>• Camo Green</li><li>• Lusterless Black</li><li>• Desert Tan</li></ul>
CONNECTOR	<ul style="list-style-type: none"><li>• SMA</li><li>• MCX</li><li>• MMCX</li><li>• Type N</li><li>• TNC</li></ul>
LNA GAIN	<ul style="list-style-type: none"><li>• With 33 dB LNA</li><li>• With 40 dB LNA</li></ul>

**ELECTRICAL**

Frequency Range	
L-Band	1545-1610 MHz
BeiDou	1561.098±10.0 MHz
L1 GPS	1575.42 ± 15.0 MHz
E1 Galileo	1575.42 ± 17.0 MHz
L1 GLONASS	1609 ± 7.0 MHz
VSWR	< 2.0:1
Impedance	50 ohms
Polarization	RHCP

**MECHANICAL & ENVIRONMENTAL**

Designed to:

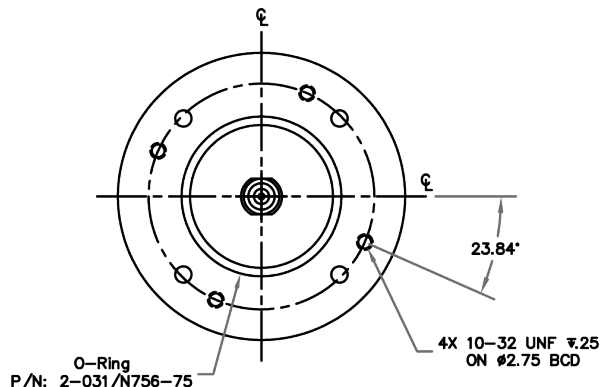
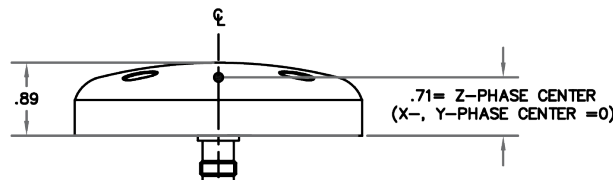
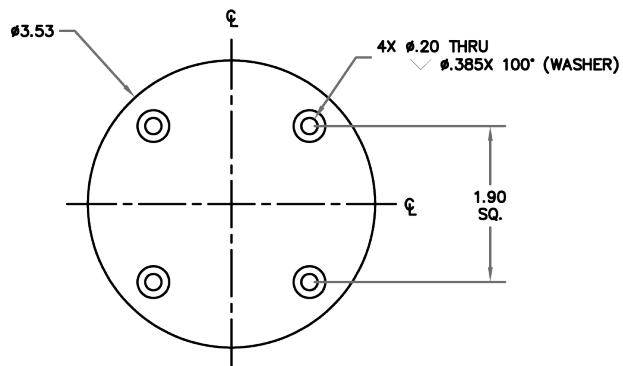
Weight	7.91 oz (Typical)
Temperature	-55°C TO +85°C
Altitude	70,000 ft
Vibration	> 30 Grms

**TYPICAL LNA PERFORMANCE**

LNA Gain	See Options Table
LNA Noise Figure	3.5 dB
LNA P1dB Out	+13 dBm
LNA DC Power	(3.8 - 15) V <40 mA

**LIMITING & FILTERING**

Power Handling	1 Watt CW
----------------	-----------



**PART NUMBER DECODER**

3GO16X-XXR-X

**LNA Gain**  
A = With 33 dB  
A4 = With 40 dB

**Connector**  
S = SMA  
M = MCX  
MM = MMCX  
N = Type N  
T = TNC

**Color (PER FED-STD-595B)**  
1 = Gloss White #17925  
2 = Lusterless Gray #36320  
3 = Camo Green #34094  
4 = Lusterless Black #37038  
5 = Desert Tan #33446

**CONTACT ANTCOM**

Phone: +1-310-782-1076  
Fax: +1-310-782-1086  
Email: sales.pi.antcom@antcom.com  
Web: antcom.com

