



3GO16P-XXR-X ANTENNA FAMILY

FRPA-Footprint GNSS Antenna, Passive, Center Connector

The 3GO16P-XXR-X product family uses assured Global Navigation Satellite System (GNSS) signal reception through multi-constellation reception. Coverage is available across three frequency bands: GLONASS L1, GPS L1 plus Galileo E1 and L-Band plus Beidou B1. The antenna has the standard Fixed Reception Pattern Antenna (FRPA) mounting footprint for easy integration onto new and existing platforms. Industries with harsh environmental conditions such as military and aerospace applications are ideal for this antenna's rugged enclosure. The connector is located in the center of the baseplate bottom for easy installation.

The product family is passive (non amplified) for minimal front-end loss ahead of your receiver. For best performance, install this product where you can minimize cable length between your antenna and receiver.

Antcom can customize this product family to meet your specific requirements. Please contact us for more information about customization options.

BENEFITS

- Standard FRPA mounting footprint for easy platform integration
- Multi-constellation GNSS coverage for assured position, navigation and timing

FEATURES

- GPS L1, Galileo E1, GLONASS L1, Beidou B1 and L-Band support
- FRPA footprint with thru-hole mount or bottom-mount
- Passive (requires no power)



OPTIONS

COLOR

- Gloss White
- Lusterless Gray
- Camo Green
- Lusterless Black
- Desert Tan

CONNECTOR

- SMA
- MCX
- MMCX
- Type N
- TNC

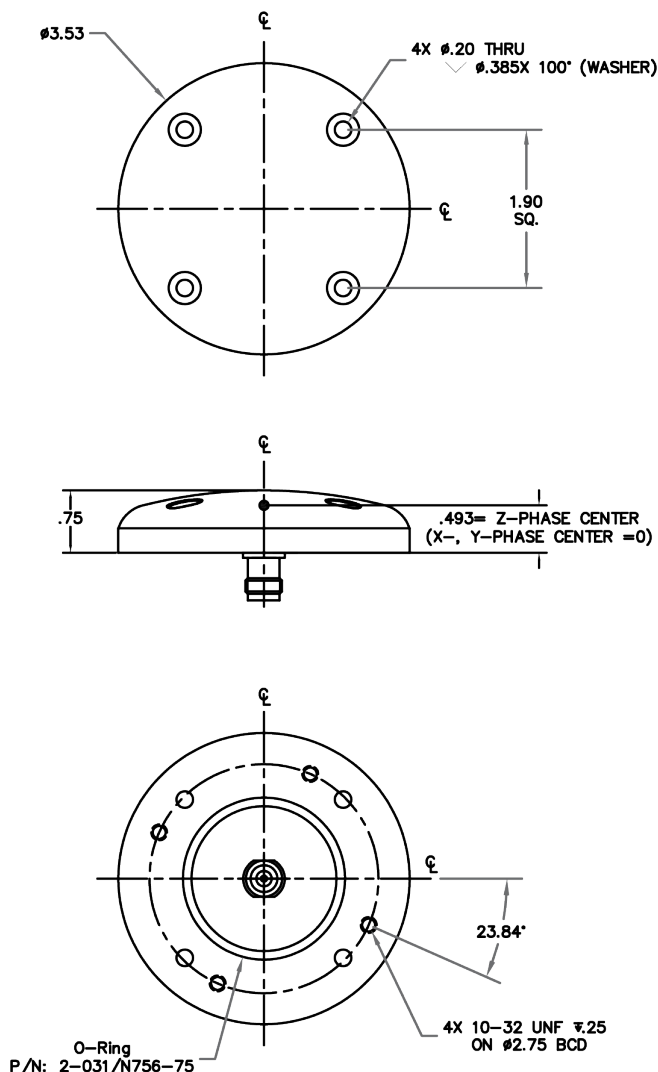
ELECTRICAL

Frequency Range	
L-Band BeiDou	1545-1610 MHz 1561.098±10.0 MHz
L1 GPS E1 Galileo	1575.42 ± 15.0 MHz 1575.42 ± 17.0 MHz
L1 GLONASS	1609 ± 7.0 MHz
VSWR	< 2.0:1
Impedance	50 ohms
Polarization	RHCP

MECHANICAL & ENVIRONMENTAL

Designed to:

Weight	7.91 oz (Typical)
Temperature	-55°C TO +85°C
Altitude	70,000 ft
Vibration	> 30 Grms



PART NUMBER DECODER
3GO16P-XXR-X

- Connector**
 - S = SMA
 - M = MCX
 - MM = MMCX
 - N = Type N
 - T = TNC
- Color (PER FED-STD-595B)**
 - 1 = Gloss White #17925
 - 2 = Lusterless Gray #36320
 - 3 = Camo Green #34094
 - 4 = Lusterless Black #37038
 - 5 = Desert Tan #33446

CONTACT ANTCOM

Phone: +1-310-782-1076
 Fax: +1-310-782-1086
 Email: sales.pi.antcom@antcom.com
 Web: antcom.com

