



1.2G1215X-XX-X-NF ANTENNA FAMILY

Mini GPS L1/L2 Antenna for Bottom Mount Installation

The 1.2G1215X-XX-X-NF receives Global Positioning System (GPS) signal reception in the L1 and L2 frequency bands. This product family uses the mini 1.2G form factor for bottom mount installation using four 2-56 threaded screws. The size and weight of this antenna are minimized by excluding the external mounting flanges.

The product family is available in passive and active (amplified) configurations. The amplified configuration is best suited to applications with a long cable between the antenna receiver, while the passive configuration is best suited to applications where the antenna is positioned close to the GNSS receiver

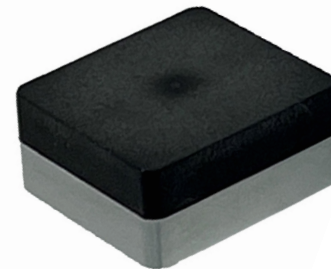
Antcom can customize this product family to meet your specific requirements. Please contact us for more information about customization options.

BENEFITS

- Military-grade GPS L1/L2 reception
- Ultra-small and lightweight enclosure

FEATURES

- GPS L1/L2 with M-Code support
- Mini 1.2G product form factor
- Passive or active (amplified) configurations available



OPTIONS

- | | |
|-----------|---|
| COLOR | <ul style="list-style-type: none">• Gloss White• Lusterless Gray• Camo Green• Unpainted Black• Desert Tan |
| CONNECTOR | <ul style="list-style-type: none">• SMA• MMCX• SSMP• TNC• and more |
| LNA GAIN | <ul style="list-style-type: none">• With 27 dB LNA• Without LNA |

ELECTRICAL

Frequency Range:	
L1 GPS	1575.42 ± 12 MHz
L2 GPS	1227.60 ± 12 MHz
VSWR	< 2.0:1
Impedance	50 ohms
Polarization	RHCP

MECHANICAL & ENVIRONMENTAL

Designed to:

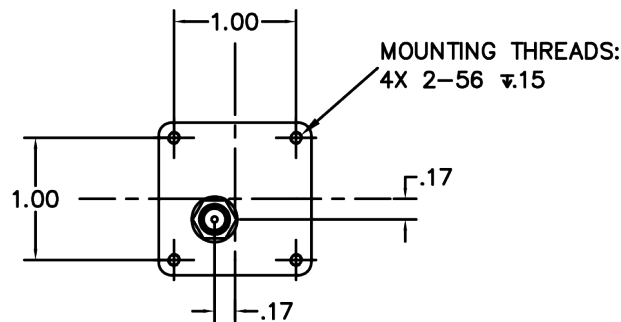
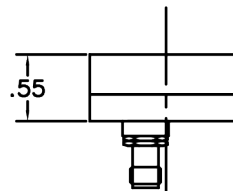
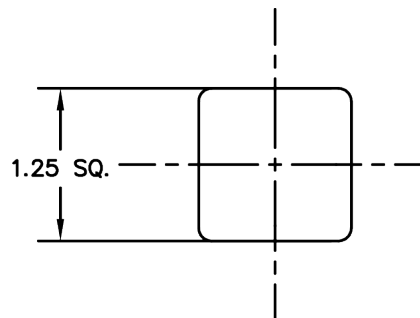
Weight	1.44 oz (Typical)
Temperature	-55°C TO +85°C
Altitude	70,000 ft
Vibration	> 30 Grms

TYPICAL LNA PERFORMANCE

LNA Gain	See Options Table
LNA DC Power	(2.8 - 12) V <35 mA

LIMITING & FILTERING

Power Handling	1 Watt CW
-----------------------	-----------



PART NUMBER DECODER

1.2G1215X-XX-X-NF

- LNA Gain**
 - A27 = With 27 dB
 - P = Without LNA
- Connector**
 - S = SMA
 - M = MCX
 - MM = MMCX
 - T = TNC
 - L-RM = Right Angle Male Lemo
- Color (PER FED-STD-595B)**
 - 1 = Gloss White #17925
 - 2 = Lusterless Gray #36320
 - 3 = Camo Green #34094
 - 4 = Unpainted Black
 - 5 = Desert Tan #33446

CONTACT ANTCOM

Phone: +1-310-782-1076
 Fax: +1-310-782-1086
 Email: sales.pi.antcom@antcom.com
 Web: antcom.com

